

FEATURES

- ±8000 V HBM ESD**
- AEC-Q100 qualified**
- EMI filters included**
- High common-mode voltage range**
 - 2 V to +45 V operating
 - 24 V to +80 V survival
- Buffered output voltage**
- Gain = 14 V/V**
- Low-pass filter (single-pole or two-pole)**
- Wide operating temperature range**
 - 8-lead MSOP: –40°C to +125°C
- Excellent ac and dc performance**
 - ±1 mV voltage offset
 - 5 ppm/°C typical gain drift
 - 80 dB CMRR minimum dc to 10 kHz

APPLICATIONS

- High-side current sensing**
 - Motor controls
 - Solenoid controls
 - Power management
- Low-side current sensing**
- Diagnostic protection**

GENERAL DESCRIPTION

The AD8209 is a single-supply difference amplifier ideal for amplifying and low-pass filtering small differential voltages in the presence of a large common-mode voltage. The input common-mode voltage range extends from –2 V to +45 V at a single +5 V supply. The AD8209 is qualified per AEC-Q100 specifications. The amplifier offers enhanced input overvoltage and ESD protection, and includes EMI filtering.

Automotive applications demand robust, precision components for improved system control. The AD8209 provides excellent ac and dc

FUNCTIONAL BLOCK DIAGRAM

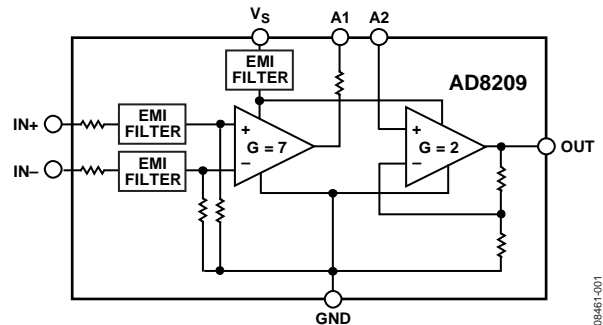


Figure 1.

08461-001

performance, minimizing errors in the application. Typical offset and gain drift in the MSOP package are less than 5 $\mu\text{V}/^\circ\text{C}$ and 10 ppm/°C, respectively. The device also delivers a minimum CMRR of 80 dB from dc to 10 kHz.

The AD8209 features an externally accessible 100 k Ω resistor at the output of the preamplifier (A1), which can be used for low-pass filtering and for establishing gains other than 14.

Rev. 0

Information furnished by Analog Devices is believed to be accurate and reliable. However, no responsibility is assumed by Analog Devices for its use, nor for any infringements of patents or other rights of third parties that may result from its use. Specifications subject to change without notice. No license is granted by implication or otherwise under any patent or patent rights of Analog Devices. Trademarks and registered trademarks are the property of their respective owners.

TABLE OF CONTENTS

Features	1	Applications Information	11
Applications	1	High-Side Current Sensing with a Low-Side Switch	11
Functional Block Diagram	1	High-Rail Current Sensing	11
General Description	1	Low-Side Current Sensing	11
Revision History	2	Gain Adjustment	12
Specifications	3	Gain Trim	12
Absolute Maximum Ratings	4	Low-Pass Filtering	13
ESD Caution	4	High Line Current Sensing with LPF and Gain Adjustment	14
Pin Configuration and Function Descriptions	5	Outline Dimensions	15
Typical Performance Characteristics	6	Ordering Guide	15
Theory of Operation	10		

REVISION HISTORY

10/09—Revision 0: Initial Version

SPECIFICATIONS

$T_{OPR} = -40^{\circ}\text{C}$ to $+125^{\circ}\text{C}$, $T_A = 25^{\circ}\text{C}$, $V_S = 5\text{ V}$, $R_L = 25\text{ k}\Omega$ (R_L is the output load resistor), unless otherwise noted.

Table 1.

Parameter	Test Conditions ¹	Min	Typ	Max	Unit
SYSTEM GAIN					
Initial			14		V/V
Error vs. Temperature	$0.075\text{ V} \leq V_{OUT} \leq (V_S - 0.1\text{ V})$, dc, T_{OPR}			± 0.3	%
Gain Drift	T_{OPR}	0		-20	ppm/ $^{\circ}\text{C}$
VOLTAGE OFFSET					
Initial Input Offset (Referred to Input [RTI])	$V_{CM} = 0.15\text{ V}$, T_A			± 2	mV
Input Offset (RTI) Over Temperature	$V_{CM} = 0\text{ V}$, T_{OPR}			± 4	mV
Voltage Offset vs. Temperature	$V_{CM} = 0\text{ V}$, T_{OPR}	-20		+20	$\mu\text{V}/^{\circ}\text{C}$
INPUT					
Input Impedance					
Differential		360	400	440	k Ω
Common Mode		180	200	220	k Ω
V_{CM} (Continuous)		-2		+45	V
CMRR ²	$V_{CM} = -2\text{ V}$ to $+45\text{ V}$, dc $f = \text{dc}$ to 10 kHz , ³ T_{OPR}	80	100		dB
		80			dB
PREAMPLIFIER (A1)					
Gain			7		V/V
Gain Error	$0.05\text{ V} \leq V_{OUT} \leq (V_S - 0.1\text{ V})$, dc, T_{OPR}	-0.3		+0.3	%
Output Voltage Range		0.05		$V_S - 0.1$	V
Output Resistance		97	100	103	k Ω
OUTPUT BUFFER (A2)					
Gain			2		V/V
Gain Error	$0.075\text{ V} \leq V_{OUT} \leq (V_S - 0.1\text{ V})$, dc, T_{OPR}	-0.3		+0.3	%
Output Voltage Range ⁴	$R_L = 25\text{ k}\Omega$, differential Input (V) = 0 V , T_{OPR}	0.075		$V_S - 0.1$	V
Input Bias Current	T_{OPR}			50	nA
Output Resistance	$R_L = 1\text{ k}\Omega$, frequency = dc		2		Ω
DYNAMIC RESPONSE					
System Bandwidth	$V_{IN} = 0.01\text{ V p-p}$, $V_{OUT} = 0.14\text{ V p-p}$		80		kHz
Slew Rate	$V_{IN} = 0.28\text{ V}$, $V_{OUT} = 4\text{ V}$ step		1		V/ μs
NOISE					
0.1 Hz to 10 Hz			20		$\mu\text{V p-p}$
Spectral Density, 1 kHz (RTI)			500		nV/ $\sqrt{\text{Hz}}$
POWER SUPPLY					
Operating Range		4.5		5.5	V
Quiescent Current	Typical, T_A		1.6		mA
Quiescent Current vs. Temperature	$V_{OUT} = 0.1\text{ V}$ dc, $V_S = 5\text{ V}$, T_{OPR}			2.7	mA
PSRR	$V_S = 4.5\text{ V}$ to 5.5 V , T_{OPR}	66	80		dB
TEMPERATURE RANGE					
For Specified Performance at T_{OPR}		-40		+125	$^{\circ}\text{C}$

¹ V_{CM} = input common-mode voltage.

² Source imbalance < $2\ \Omega$.

³ The AD8209 preamplifier exceeds 80 dB CMRR at 10 kHz. However, because the output is available only by way of the 100 k Ω resistor, even a small amount of pin-to-pin capacitance between the IN pins and the A1 and A2 pins might couple an input common-mode signal larger than the greatly attenuated preamplifier output. The effect of pin-to-pin coupling can be neglected in all applications by using a filter capacitor from Pin 3 to GND.

⁴ The output voltage range of the AD8209 varies depending on the load resistance and temperature. For additional information on this specification, refer to Figure 12 and Figure 13.

ABSOLUTE MAXIMUM RATINGS

Table 2.

Parameter	Rating
Supply Voltage	12 V
Continuous Input Voltage (Common Mode)	-24 V to +80 V
Differential Input Voltage	±12 V
Reversed Supply Voltage Protection	0.3 V
ESD Human Body Model	±8000 V
Operating Temperature Range	-40°C to +125°C
Storage Temperature Range	-65°C to +150°C
Output Short-Circuit Duration	Indefinite
Lead Temperature Range (Soldering 10 sec)	300°C

Stresses above those listed under Absolute Maximum Ratings may cause permanent damage to the device. This is a stress rating only; functional operation of the device at these or any other conditions above those indicated in the operational section of this specification is not implied. Exposure to absolute maximum rating conditions for extended periods may affect device reliability.

ESD CAUTION



ESD (electrostatic discharge) sensitive device. Charged devices and circuit boards can discharge without detection. Although this product features patented or proprietary protection circuitry, damage may occur on devices subjected to high energy ESD. Therefore, proper ESD precautions should be taken to avoid performance degradation or loss of functionality.

PIN CONFIGURATION AND FUNCTION DESCRIPTIONS

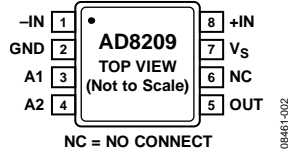


Figure 2. Pin Configuration

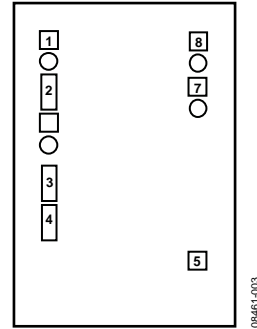


Figure 3. Metallization Photograph

Table 3. Pin Function Descriptions

Pin No.	Mnemonic	Coordinates		Description
		X	Y	
1	-IN	-322	+563	Inverting Input
2	GND	-321	+208	Ground
3	A1	-321	-51	Preamplifier (A1) Output
4	A2	-321	-214	Buffer (A2) Input
5	OUT	+321	-388	Buffer (A2) Output
6	NC			No Connect
7	V _s	+322	+363	Supply
8	+IN	+322	+561	Noninverting Input

TYPICAL PERFORMANCE CHARACTERISTICS

$T_{OPR} = -40^{\circ}\text{C}$ to $+125^{\circ}\text{C}$, $T_A = 25^{\circ}\text{C}$, $V_S = 5\text{ V}$, $R_L = 25\text{ k}\Omega$ (R_L is the output load resistor), unless otherwise noted.

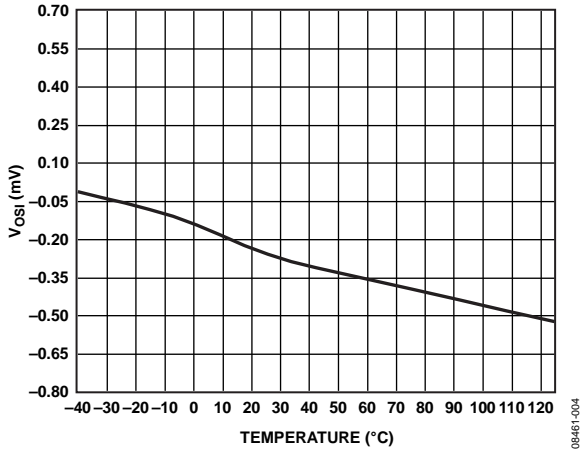


Figure 4. Typical Offset Drift vs. Temperature

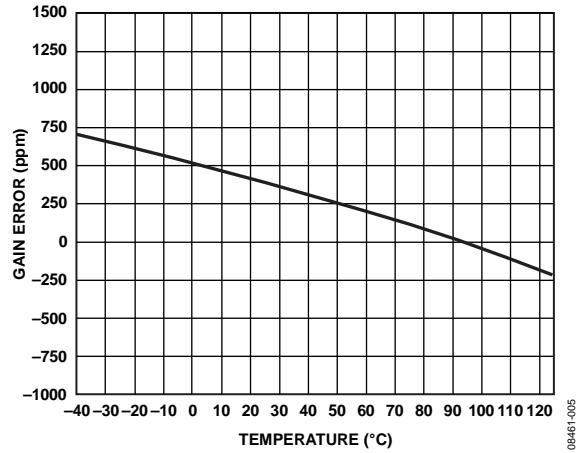


Figure 7. Typical Gain Error vs. Temperature

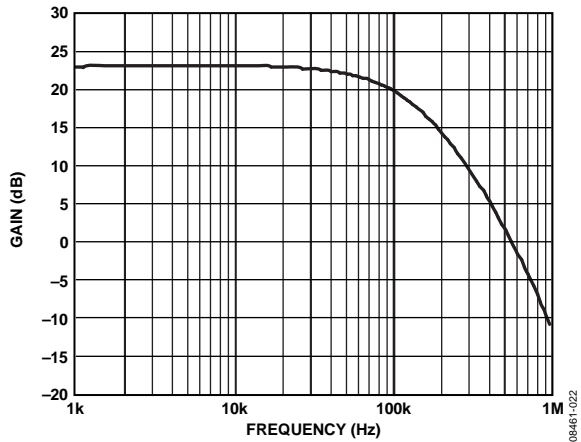


Figure 5. Typical Small-Signal Bandwidth

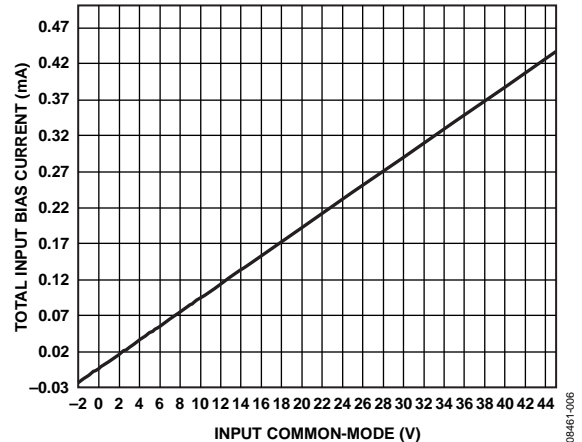


Figure 8. Total Input Bias Current vs. Common-Mode Voltage, with +IN and -IN Pins Connected (Shorted)

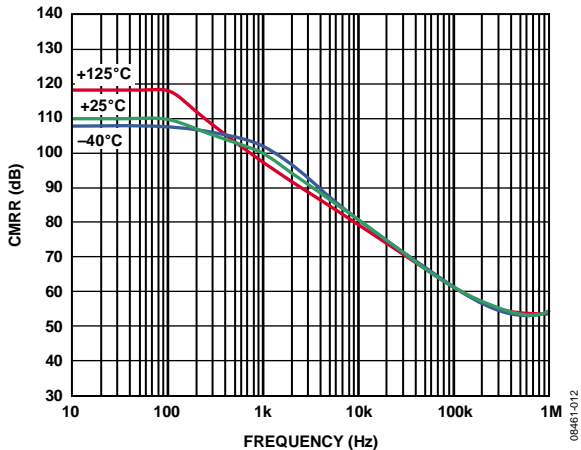


Figure 6. Typical CMRR vs. Frequency

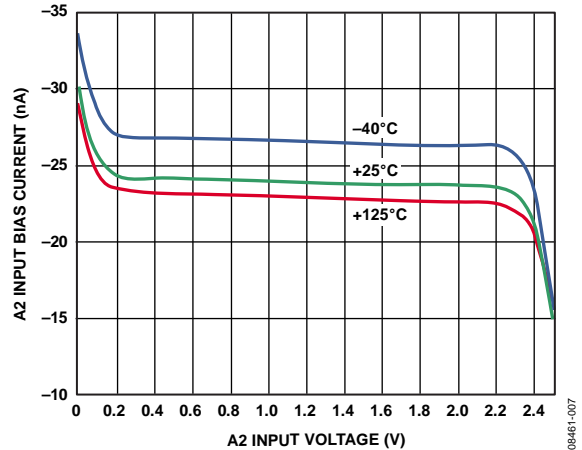


Figure 9. Input Bias Current of A2 vs. Input Voltage and Temperature

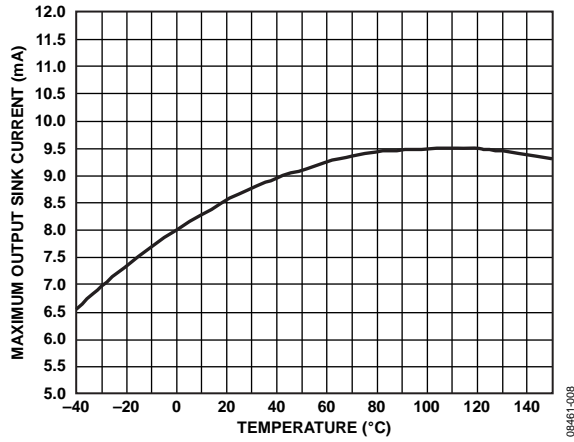


Figure 10. Maximum Output Sink Current vs. Temperature

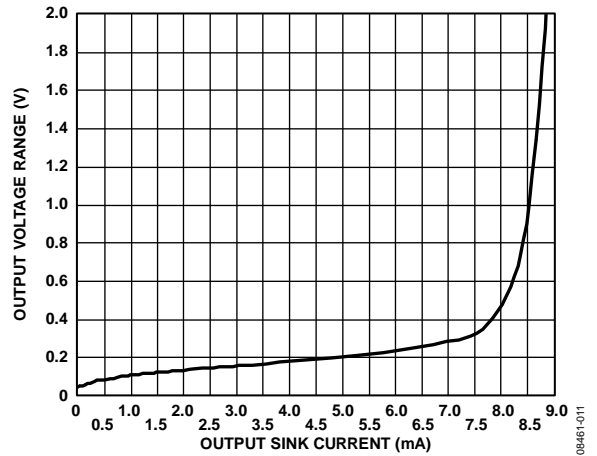


Figure 13. Output Voltage Range from GND vs. Output Sink Current

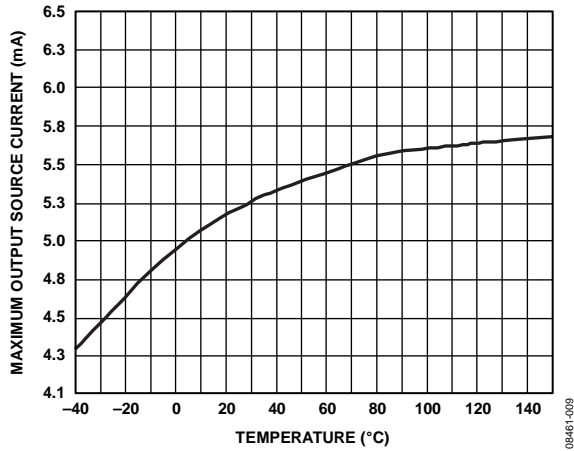


Figure 11. Maximum Output Source Current vs. Temperature

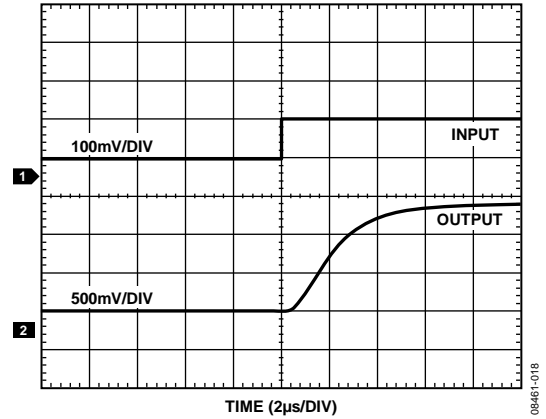


Figure 14. Rise Time

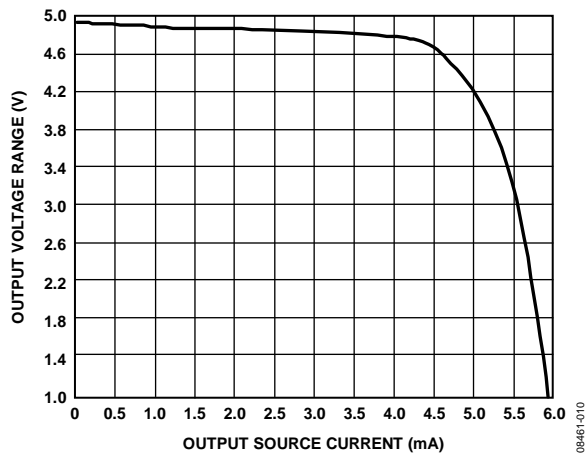


Figure 12. Output Voltage Range of A2 vs. Output Source Current

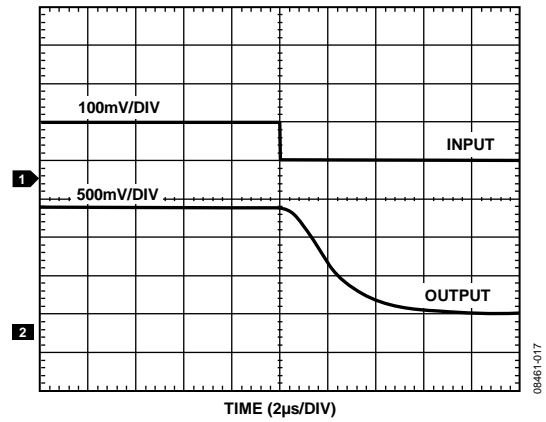


Figure 15. Fall Time

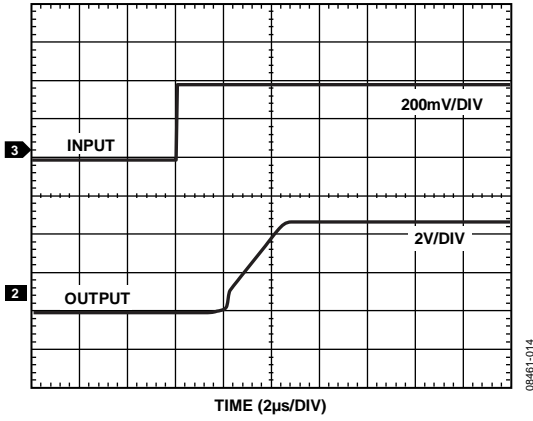


Figure 16. Differential Overload Recovery, Rising

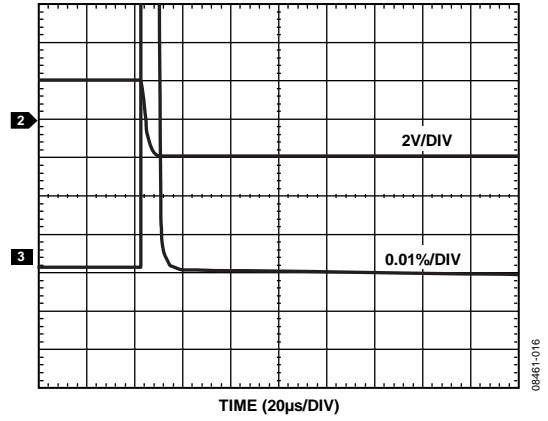


Figure 19. Settling Time, Falling

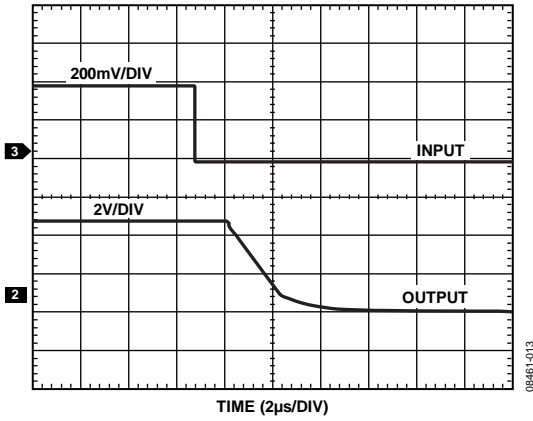


Figure 17. Differential Overload Recovery, Falling

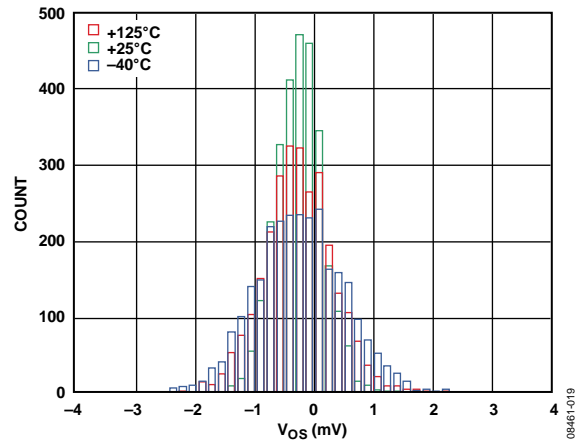


Figure 20. Offset Distribution

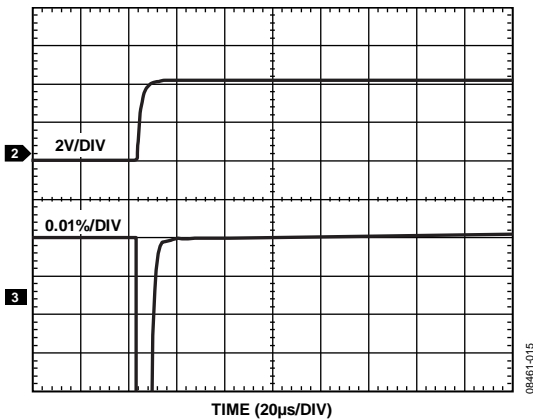


Figure 18. Settling Time, Rising

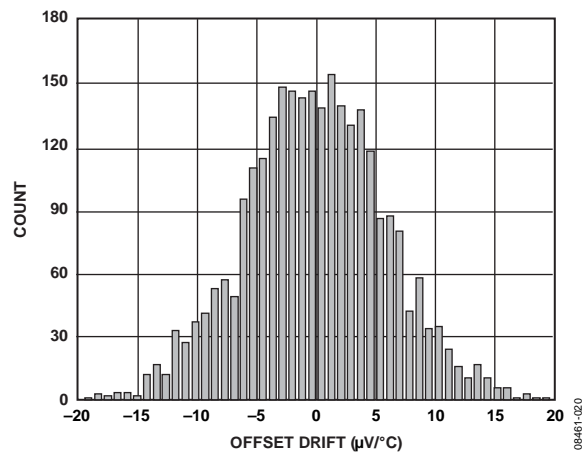


Figure 21. Offset Drift Distribution

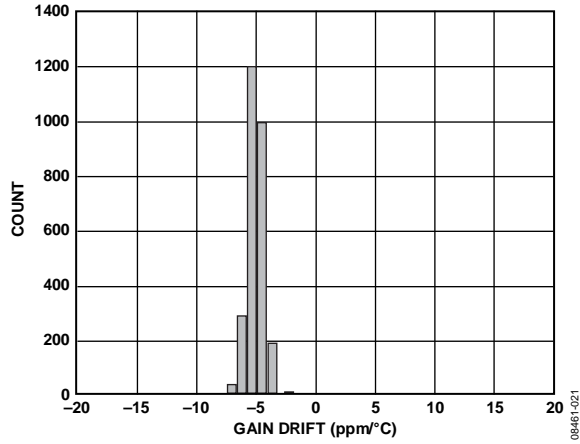


Figure 22. Gain Drift Distribution

08461-021

THEORY OF OPERATION

The AD8209 is a single-supply difference amplifier typically used to amplify a small differential voltage in the presence of rapidly changing, high common-mode voltages.

The AD8209 consists of two amplifiers (A1 and A2), a resistor network, a small voltage reference, and a bias circuit (not shown); see Figure 23.

The set of input attenuators preceding A1 consist of R_A , R_B , and R_C , which feature a combined series resistance of approximately $400\text{ k}\Omega \pm 20\%$. The purpose of these resistors is to attenuate the input voltage to match the input voltage range of A1. This balanced resistor network attenuates the common-mode signal by a ratio of 1/14. The A1 amplifier inputs are held within the power supply range, even as Pin 1 and Pin 8 exceed the supply or fall below the common (ground). A reference voltage of 350 mV biases the attenuator above ground, allowing Amplifier A1 to operate in the presence of negative common-mode voltages.

The input resistor network also attenuates normal (differential) mode voltages. Therefore, A1 features a gain of 97 V/V to provide a total system gain, from $\pm\text{IN}$ to the output of A1, equal to 7 V/V, as shown in the following equation:

$$\text{Gain (A1)} = 1/14 (\text{V/V}) \times 97 (\text{V/V}) = 7 \text{ V/V}$$

A precision trimmed, 100 k Ω resistor is placed in series with the output of Amplifier A1. The user has access to this resistor via an external pin (A1). A low-pass filter can be easily implemented

by connecting A1 to A2 and placing a capacitor to ground (see Figure 32).

The value of R_{F1} and R_{F2} is 10 k Ω , providing a gain of 2 V/V for Amplifier A2. When connecting Pin A1 and Pin A2 together, the AD8209 provides a total system gain equal to

$$\text{Total Gain of (A1 + A2) (V/V)} = 7 (\text{V/V}) \times 2 (\text{V/V}) = 14 \text{ V/V}$$

at the output of A2 (the OUT pin).

The ratios of R_A , R_B , R_C , and R_F are trimmed to a high level of precision, allowing a typical CMRR value that exceeds 80 dB. This performance is accomplished by laser trimming the resistor ratio matching to better than 0.01%.

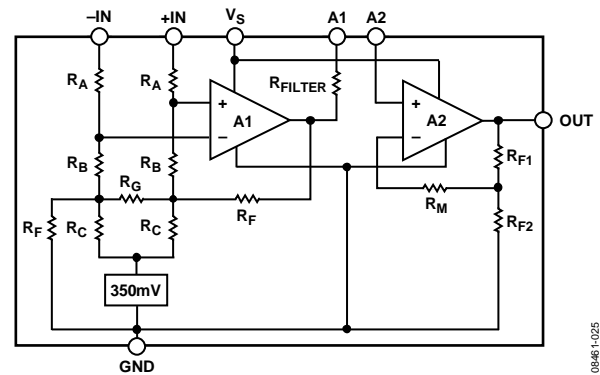


Figure 23. Simplified Schematic

0846 1-025

APPLICATIONS INFORMATION

HIGH-SIDE CURRENT SENSING WITH A LOW-SIDE SWITCH

In load control configurations for high-side current sensing with a low-side switch, the PWM-controlled switch is ground referenced. An inductive load (solenoid) connects to a power supply/battery. A resistive shunt is placed between the switch and the load (see Figure 24). An advantage of placing the shunt on the high side is that the entire current, including the recirculation current, is monitored because the shunt remains in the loop when the switch is off. In addition, shorts to ground can be detected with the shunt on the high side, enhancing the diagnostics of the control loop. In this circuit configuration, when the switch is closed, the common-mode voltage moves down to near the negative rail. When the switch is opened, the voltage reversal across the inductive load causes the common-mode voltage to be held one diode drop above the battery by the clamp diode.

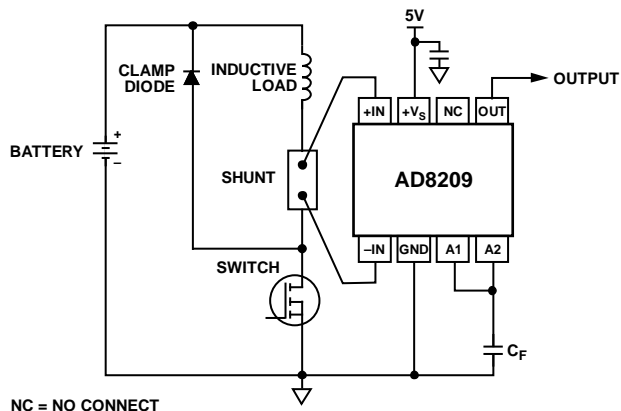


Figure 24. Low-Side Switch

In cases where a high-side switch is used for PWM control of the load current in an application, the AD8209 can be used as shown in Figure 25. The recirculation current through the freewheeling diode (clamp diode) is monitored through the shunt resistor. In this configuration, the common-mode voltage in the application drops below GND when the FET is switched off. The AD8209 operates down to -2 V, providing an accurate current measurement.

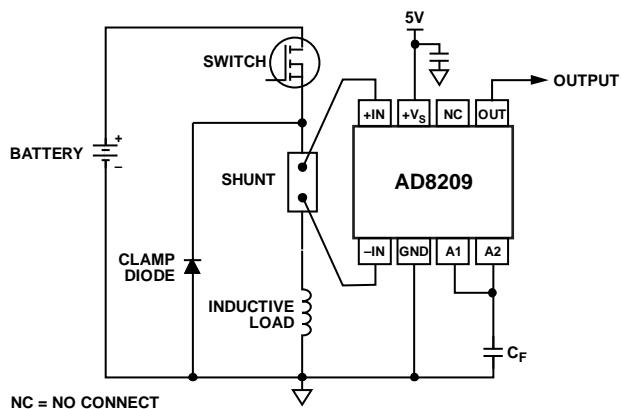


Figure 25. High-Side Switch

HIGH-RAIL CURRENT SENSING

In the high-rail current-sensing configuration, the shunt resistor is referenced to the battery. High voltage is present at the inputs of the current-sense amplifier. When the shunt is battery referenced, the AD8209 produces a linear ground-referenced analog output. Additionally, the AD8214 can be used to provide an overcurrent detection signal in as little as 100 ns (see Figure 26). This feature is useful in high current systems where fast shutdown in overcurrent conditions is essential.

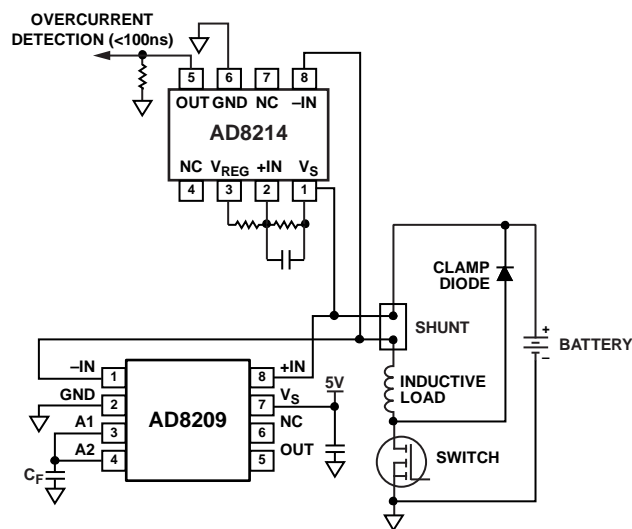


Figure 26. Battery-Referenced Shunt Resistor

LOW-SIDE CURRENT SENSING

In systems where low-side current sensing is preferable, the AD8209 provides a simple, high accuracy, integrated solution. In this configuration, the AD8209 rejects ground noise and offers high input to output linearity, regardless of the differential input voltage.

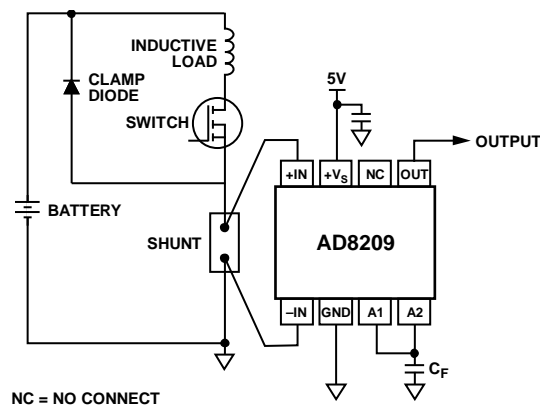


Figure 27. Ground-Referenced Shunt Resistor

AD8209

4 mA to 20 mA Current Loop Receiver

The AD8209 can also be used in low current-sensing applications, such as the 4 mA to 20 mA current loop receiver shown in Figure 28. In such applications, the relatively large shunt resistor may degrade the common-mode rejection. Adding a resistor of equal value on the low impedance side of the input corrects this error.

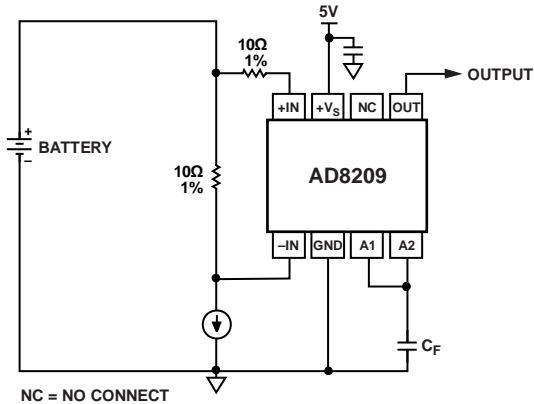


Figure 28. 4 mA to 20 mA Current Loop Receiver

GAIN ADJUSTMENT

The default gain of the preamplifier and buffer are 7 V/V and 2 V/V, respectively, resulting in a composite gain of 14 V/V. With the addition of external resistor(s) or trimmer(s), the gain can be lowered, raised, or finely calibrated.

Gains Less than 14

Because the preamplifier has an output resistance of 100 kΩ, an external resistor connected from Pin 3 and Pin 4 to GND decreases the gain by the following factor (see Figure 29):

$$R_{EXT} / (100 \text{ k}\Omega + R_{EXT})$$

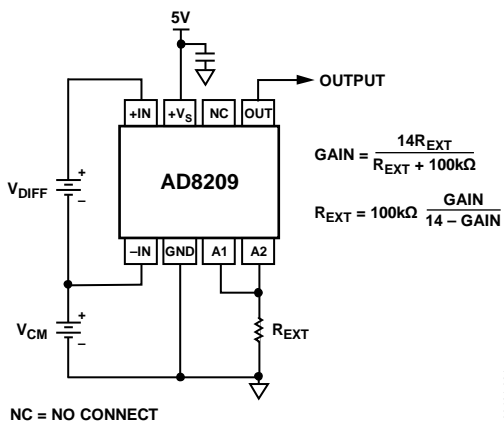


Figure 29. Adjusting for Gains Less than 14

The overall bandwidth is unaffected by changes in gain by using this method, although there may be a small offset voltage due to the imbalance in source resistances at the input to the buffer. In many cases, this can be ignored, but if desired, the offset voltage can be nulled by inserting a resistor in series with Pin 4. The resistor

used should be equal to 100 kΩ minus the parallel sum of R_{EXT} and 100 kΩ. For example, with $R_{EXT} = 100 \text{ k}\Omega$ (yielding a composite gain of 7 V/V), the optional offset nulling resistor is 50 kΩ.

Gains Greater than 14

Connecting a resistor from the output of the buffer amplifier to its noninverting input, as shown in Figure 30, increases the gain. The gain is now multiplied by the factor

$$R_{EXT} / (R_{EXT} - 100 \text{ k}\Omega)$$

For example, it is doubled for $R_{EXT} = 200 \text{ k}\Omega$. Overall gains as high as 50 are achievable in this way. Note that the accuracy of the gain becomes critically dependent on the resistor value at high gains. In addition, the effective input offset voltage at Pin 1 and Pin 8 (which is about six times the actual offset of A1) limits the use of the part in high gain, dc-coupled applications.

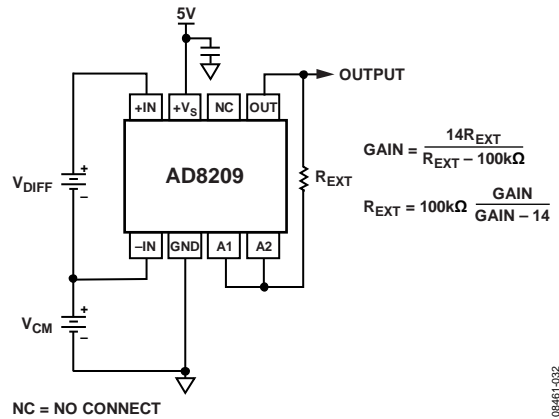


Figure 30. Adjusting for Gains Greater than 14

GAIN TRIM

Figure 31 shows a method for incremental gain trimming by using a trim potentiometer and an external resistor, R_{EXT} .

The following approximation is useful for small gain ranges:

$$\Delta G \approx (10 \text{ M}\Omega \div R_{EXT})\%$$

For example, using this equation, the adjustment range is $\pm 2\%$ for $R_{EXT} = 5 \text{ M}\Omega$ and $\pm 10\%$ for $R_{EXT} = 1 \text{ M}\Omega$.

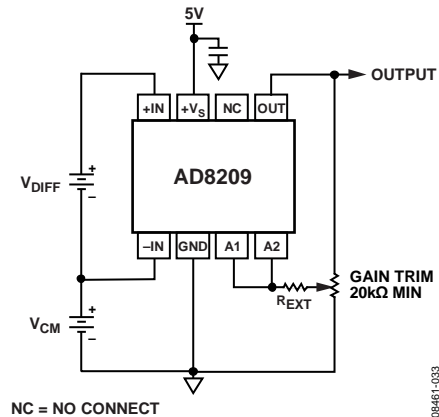


Figure 31. Incremental Gain Trimming

Internal Signal Overload Considerations

When configuring the gain for values other than 14, the maximum input voltage with respect to the supply voltage and ground must be considered because either the preamplifier or the output buffer reaches its full-scale output ($V_s - 0.1$ V) with large differential input voltages. The input of the AD8209 is limited to $(V_s - 0.1) \div 7$ for overall gains of ≤ 7 because the preamplifier, with its fixed gain of 7 V/V, reaches its full-scale output before the output buffer. For gains greater than 7, the swing at the buffer output reaches its full scale first and then limits the AD8209 input to $(V_s - 0.1) \div G$, where G is the overall gain.

LOW-PASS FILTERING

In many transducer applications, it is necessary to filter the signal to remove spurious high frequency components, including noise, or to extract the mean value of a fluctuating signal with a peak-to-average ratio (PAR) greater than unity. For example, a full-wave rectified sinusoid has a PAR of 1.57, a raised cosine has a PAR of 2, and a half-wave sinusoid has a PAR of 3.14. Signals with large spikes may have PARs of 10 or more.

When implementing a filter, the PAR should be considered so that the output of the AD8209 preamplifier (A1) does not clip before A2; otherwise, the nonlinearity would be averaged and appear as an error at the output. To avoid this error, both amplifiers should clip at the same time. This condition is achieved when the PAR is no greater than the gain of the second amplifier (2 for the default configuration). For example, if a PAR of 5 is expected, the gain of A2 should be increased to 5.

Low-pass filters can be implemented in several ways by using the features provided by the AD8209. In the simplest case, a single-pole filter (20 dB/decade) is formed when the output of A1 is connected to the input of A2 via the internal 100 kΩ resistor by tying Pin 3 to Pin 4 and adding a capacitor from this node to ground, as shown in Figure 32. If a resistor is added across the capacitor to lower the gain, the corner frequency increases; therefore, gain should be calculated using the parallel sum of the resistor and 100 kΩ.

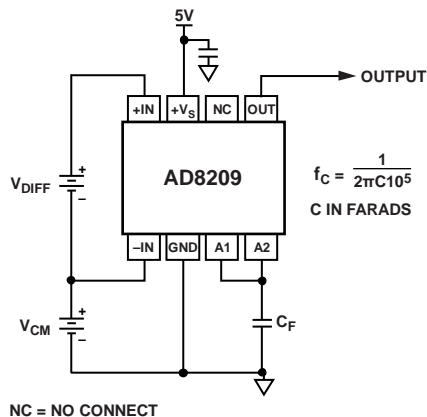


Figure 32. Single-Pole, Low-Pass Filter Using the Internal 100 kΩ Resistor

If the gain is raised using a resistor, as shown in Figure 30, the corner frequency is lowered by the same factor as the gain is raised. Therefore, using a resistor of 200 kΩ (for which the gain would be doubled), results in a corner frequency scaled to 0.796 Hz μF (0.039 μF for a 20 Hz corner frequency).

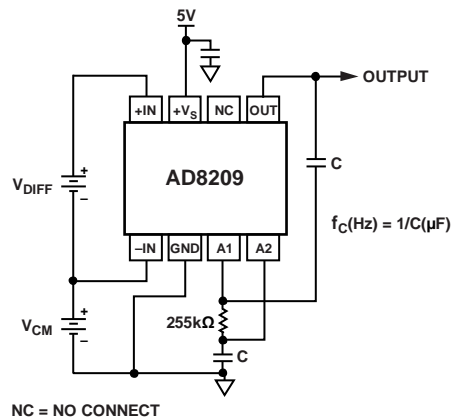


Figure 33. Two-Pole, Low-Pass Filter

A two-pole filter with a roll-off of 40 dB/decade can be implemented using the connections shown in Figure 33. This configuration is a Sallen-Key form based on a $\times 2$ amplifier. It is useful to remember that a two-pole filter with a corner frequency of f_2 and a single-pole filter with a corner frequency of f_1 have the same attenuation, that is, $40 \log (f_2/f_1)$, as shown in Figure 34. Using the standard resistor value shown in Figure 33 and capacitors of equal values, the corner frequency is conveniently scaled to 1 Hz μF (0.05 μF for a 20 Hz corner frequency). A maximal flat response occurs when the resistor is lowered to 196 kΩ, scaling the corner frequency to 1.145 Hz μF. The output offset is raised by approximately 5 mV (equivalent to 250 μV at the input pins).

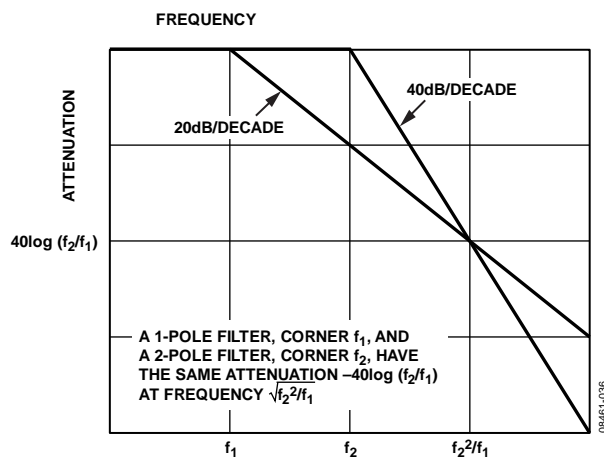


Figure 34. Comparative Responses of Single-Pole and Two-Pole Low-Pass Filters

AD8209

HIGH LINE CURRENT SENSING WITH LPF AND GAIN ADJUSTMENT

The circuit shown in Figure 35 is similar to Figure 24, but includes gain adjustment and low-pass filtering.

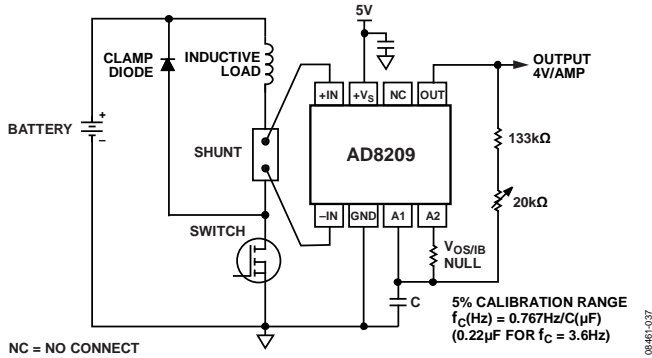


Figure 35. High Line Current-Sensor Interface;
Gain = 40 V/V, Single-Pole, Low-Pass Filter

A power device that is either on or off controls the current in the load. The average current is proportional to the duty cycle of the input pulse and is sensed by a small-value resistor. The average differential voltage across the shunt is typically 100 mV, although its peak value is higher by an amount that depends on the inductance of the load and the control frequency. The common-mode voltage, on the other hand, extends from roughly 1 V above ground for the on condition to about 1.5 V above the battery voltage in the off condition. The conduction of the clamping

diode regulates the common-mode potential applied to the device. For example, a battery spike of 20 V may result in an applied common-mode potential of 21.5 V to the input of the devices.

To produce a full-scale output of 4 V, a gain of 40 V/V is used, adjustable by $\pm 5\%$ to absorb the tolerance in the shunt. There is sufficient headroom to allow 10% overrange (to 4.4 V). The roughly triangular voltage across the sense resistor is averaged by a single-pole, low-pass filter that is set with a corner frequency of 3.6 Hz, which provides about 30 dB of attenuation at 100 Hz. A higher rate of attenuation can be obtained by using a two-pole filter with a corner frequency of 20 Hz, as shown in Figure 36. Although this circuit uses two separate capacitors, the total capacitance is less than half of what is needed for the single-pole filter.

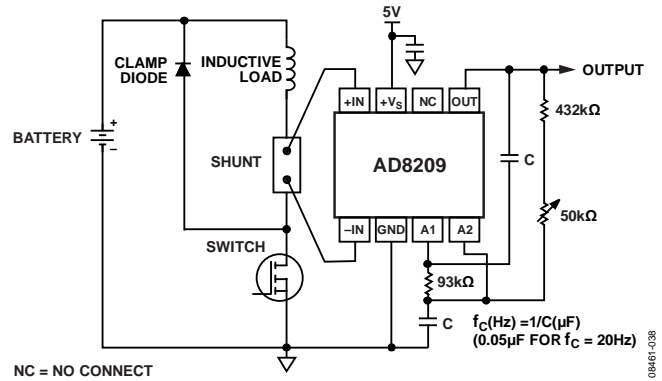
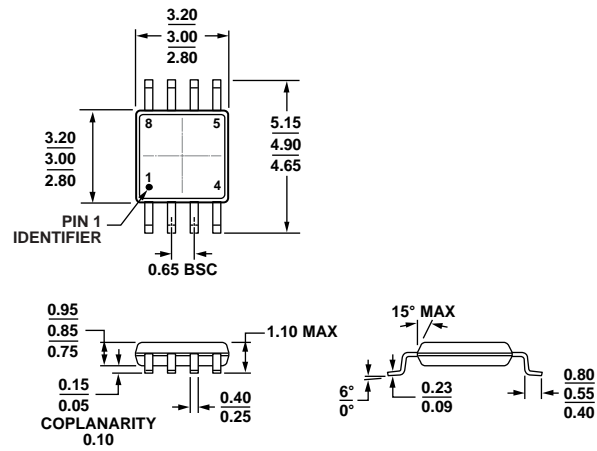


Figure 36. Two-Pole Low-Pass Filter

OUTLINE DIMENSIONS



COMPLIANT TO JEDEC STANDARDS MO-187-AA

Figure 37. 8-Lead Mini Small Outline Package [MSOP] (RM-8)

Dimensions shown in millimeters

100709-B

ORDERING GUIDE

Model	Temperature Package	Package Description	Package Option	Branding
AD8209WBRMZ ¹	-40°C to +125°C	8-Lead Mini Small Outline Package (MSOP)	RM-8	Y26
AD8209WBRMZ-R7 ¹	-40°C to +125°C	8-Lead Mini Small Outline Package (MSOP)	RM-8	Y26
AD8209WBRMZ-RL ¹	-40°C to +125°C	8-Lead Mini Small Outline Package (MSOP)	RM-8	Y26

¹ Z = RoHS Compliant Part.

AD8209

NOTES